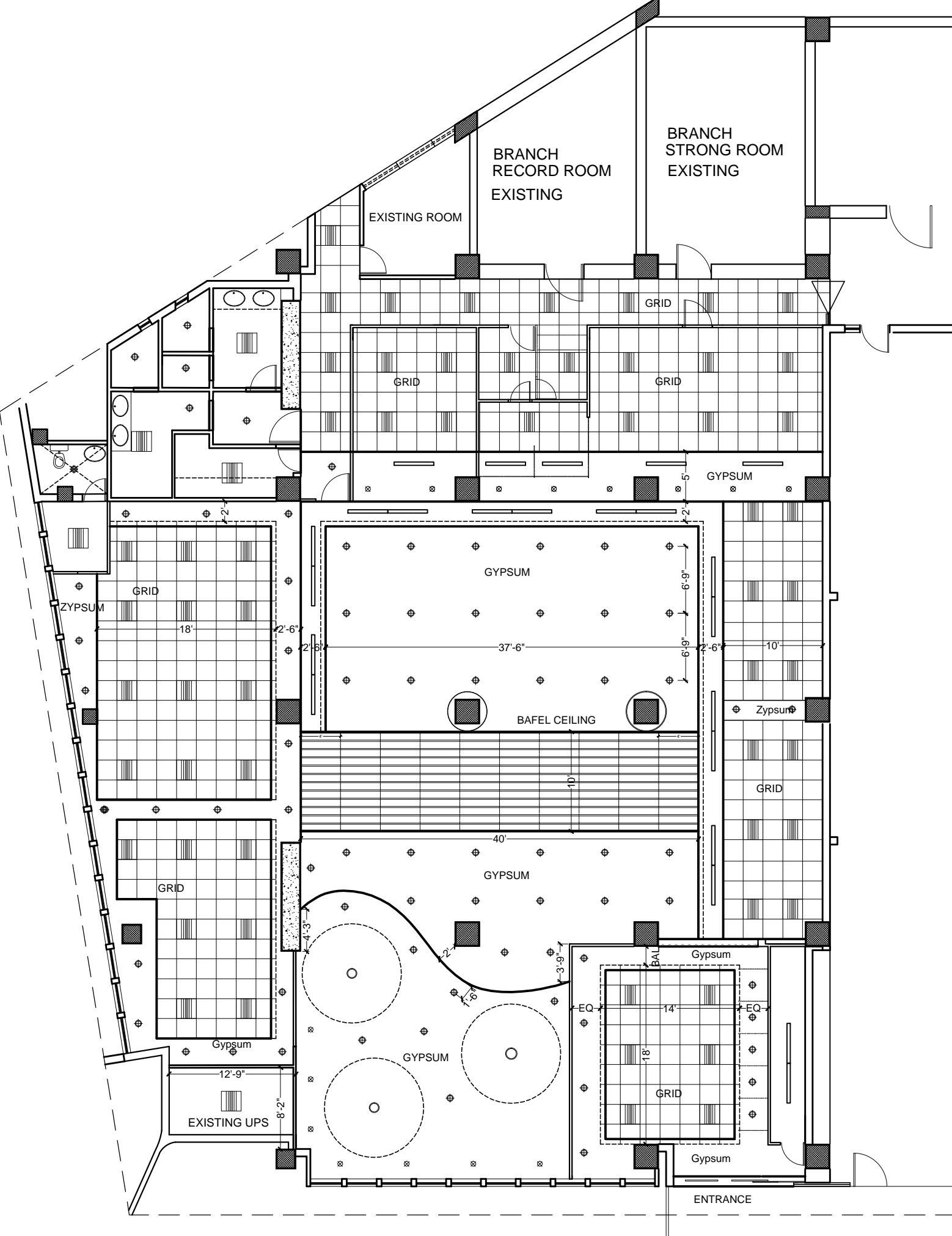


TENDER DRAWING

<p>PROJECT: BANK OF BARODA PARLIAMENT STREE,GROUND FLOOR BANK OF BARODA BUILDING, CONNAUGHT PLACE.</p>	<p>TITLE.: INTERIOR LAYOUT LAYOUT PLAN</p>	<p>DRG.No.: T.D./ 01 JOB No.: BOB/PAR/G</p>	<p>SCALE : N.T.S. DATE:- April /24</p>	<p>ARCHITECTS :- bdsharma CONSULTING pvt. ltd. C-1/8, BASEMENT, S.D.A. ADJ. AUROBINDO MARKET NEW DELHI-110016 PHONES:- 26522528, 9971850555 e mail - bdsarchitect@gmail.com</p>
--	--	---	--	---



TENDER DRAWING

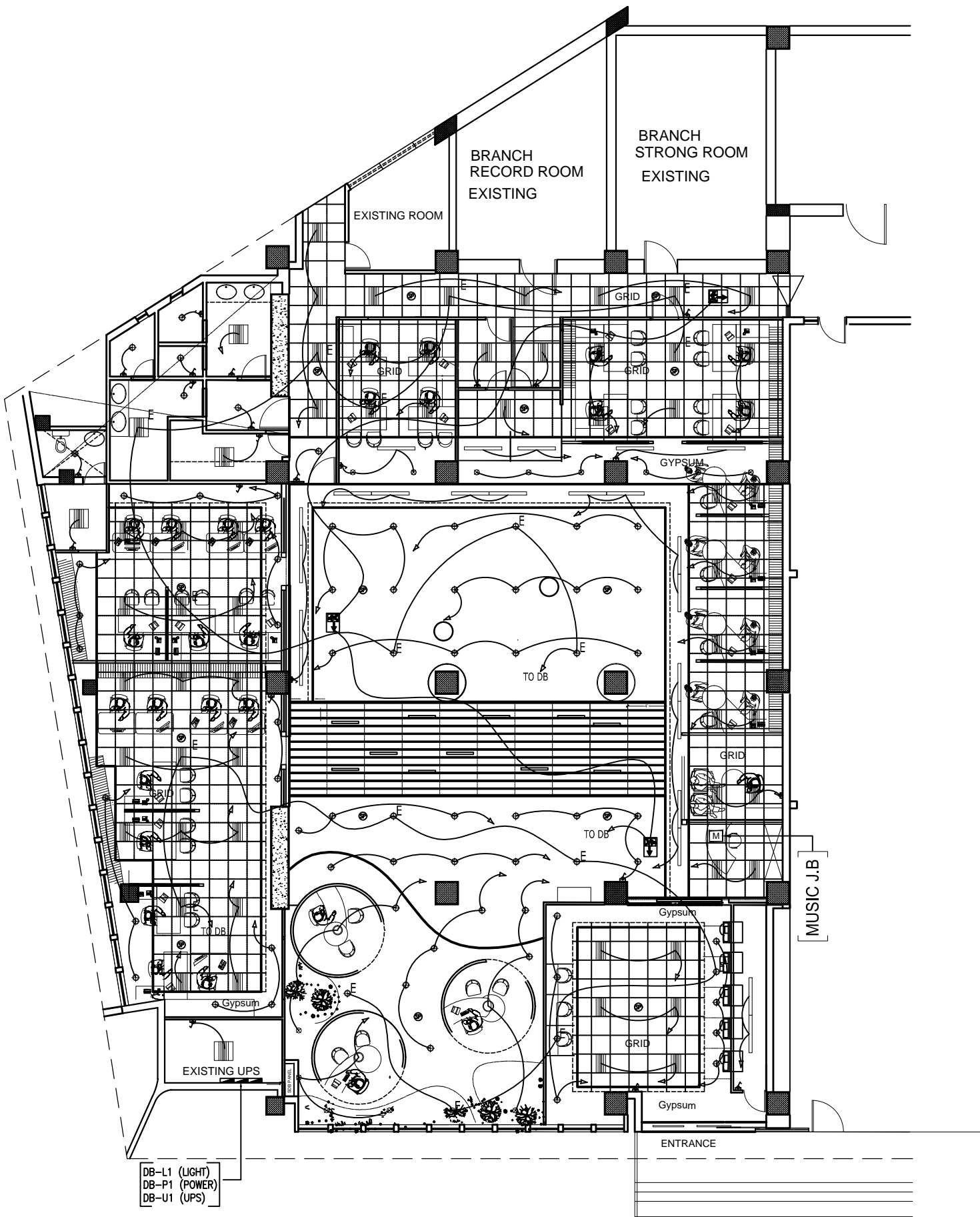
PROJECT:  
 BANK OF BARODA PARLIAMENT STREE,GROUND FLOOR  
 BANK OF BARODA BUILDING, CONNAUGHT PLACE.

TITLE.:  
 FALSE CEILING  
 LAYOUT PLAN

DRG.No.:  
 T.D./02  
 JOB No.:  
 BOB/PAR./G

scale :  
 N.T.S.  
 DATE:-  
 April /24

ARCHITECTS :-  
 bdsharma CONSULTING pvt. ltd.  
 C-1/8, BASEMENT, S.D.A. ADJ. AUROBINDO  
 MARKET NEW DELHI-110016  
 PHONES:- 26522528, 9971850555  
 e mail - bdsarchitect@gmail.com



DB-L1 (LIGHT)  
 DB-P1 (POWER)  
 DB-U1 (UPS)

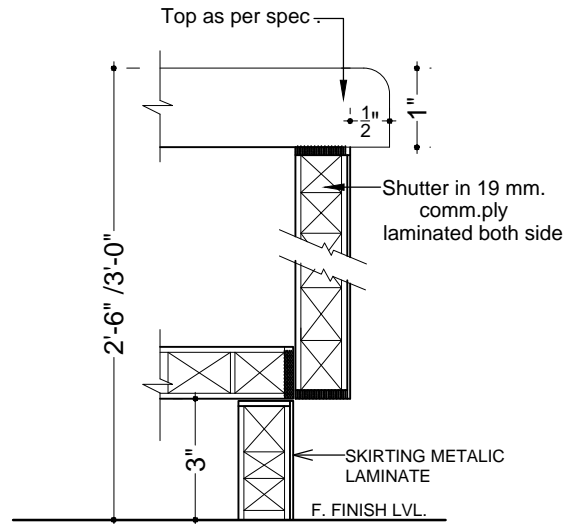
PROJECT:  
**BANK OF BARODA PARLIAMENT STREET**

**ELECTRICAL LIGHT**

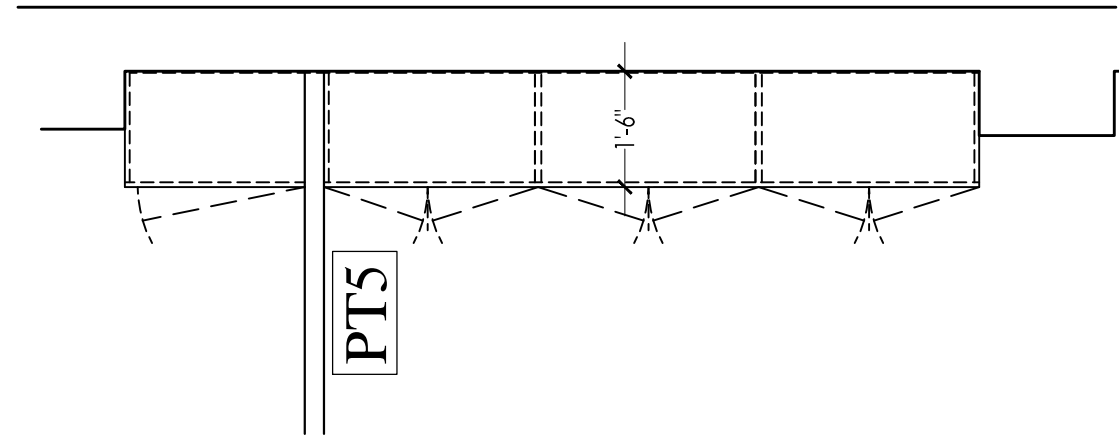
DRG.No.:  
**T-03**  
 JOB No.:  
**05/BOB/PAR.**

scale :  
**n.t.s.**  
 DATE:-  
**APRIL 24**

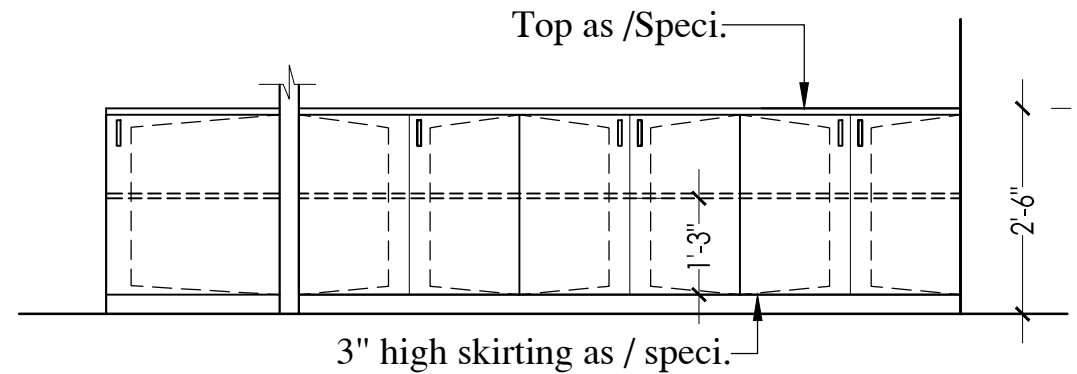
ARCHITECTS :-  
**B.D. SHARMA Consulting pvt.ltd.**  
 C-1/8, BASEMENT, S.D.A. ADJ. AUROBINDO  
 MARKET NEW DELHI-110016  
 PHONES:- 26522528, 9971850555  
 e mail - bdsarchitect@gmail.com



**CABINET  
SECTION DETAIL**



**PART PLAN CABINET- CB2  
AT TELLER COUNTER**



**CB2 - ELEVATION**

**WORKING DRAWING**

PROJECT:

**BANK OF BARODA , PHYGITAL**

TITLE:

**CABINET DETAIL**

DATE:-

**APRIL 24**

**T-04**

JOB No.:

SCALE:-

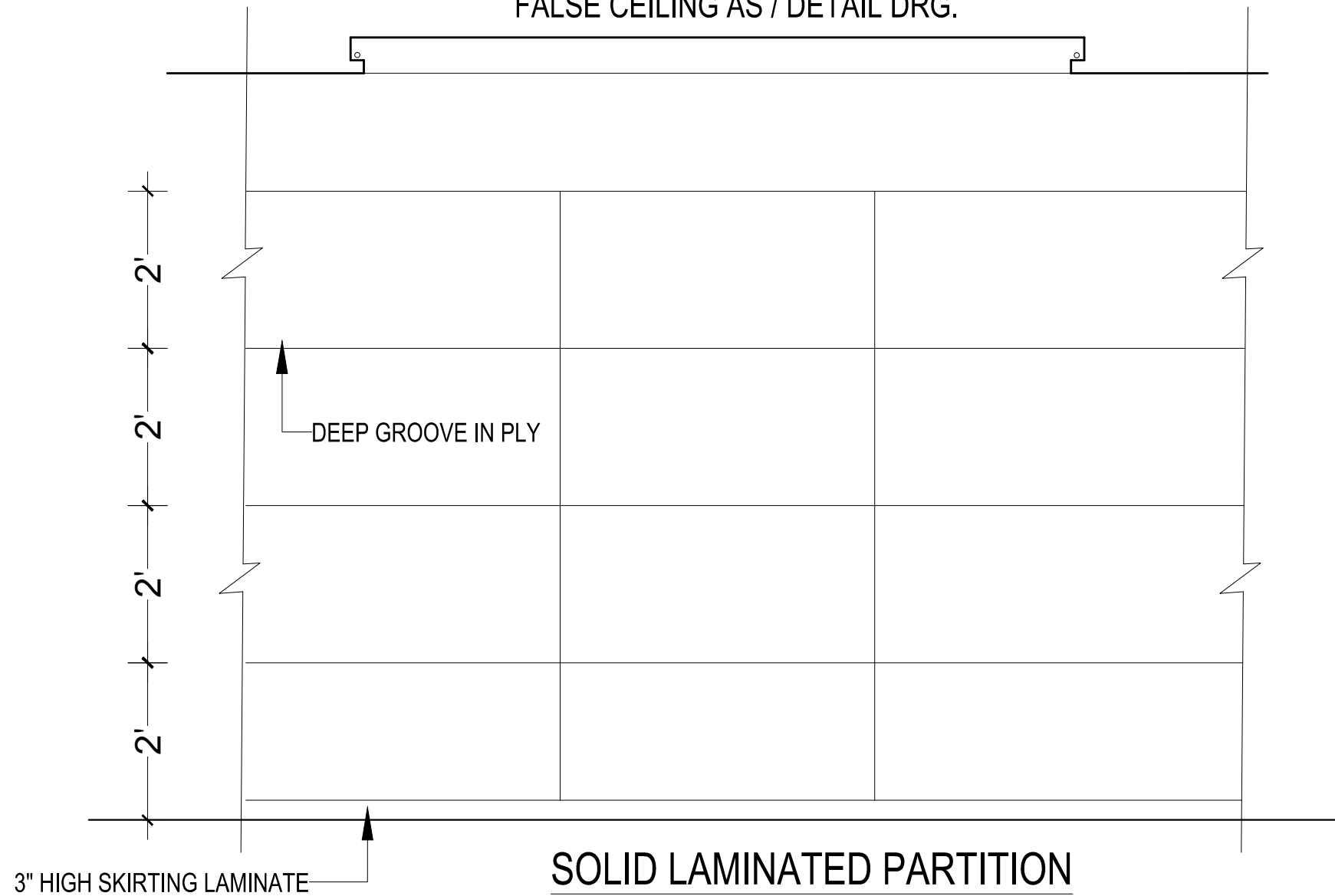
**N.T.S.**

DRG No.:

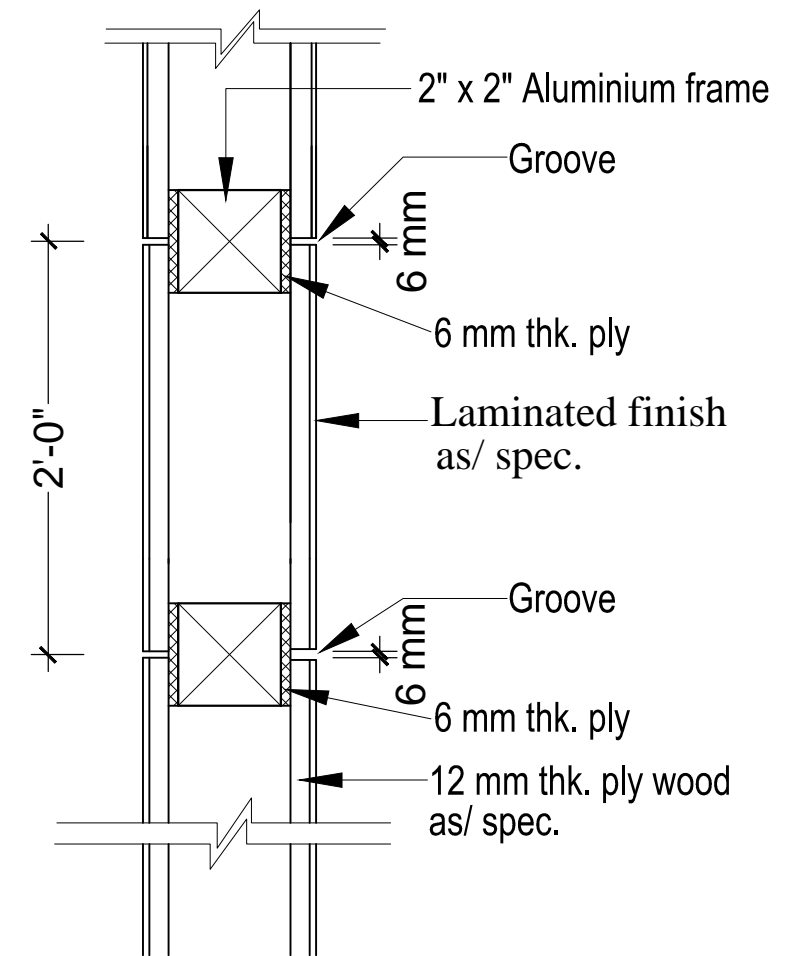
ARCHITECTS :-

**bdsharma CONSULTING pvt. ltd**  
 C-1/8, BASEMENT, S.D.A. ADJ. AUROBINDO  
 MARKET NEW DELHI-110016  
 PHONES:- 26563781, 26522528,  
 email-bdsarchitect@gmail.com

FALSE CEILING AS / DETAIL DRG.



**SOLID LAMINATED PARTITION**



**PARTITION LAMINATED SECTION**

PROJECT:  
**BANK OF BARODA PARLIAMENT, GROUND FLOOR**  
**BANK OF BARODA BUILDING, CONNAUGHT PLACE.**

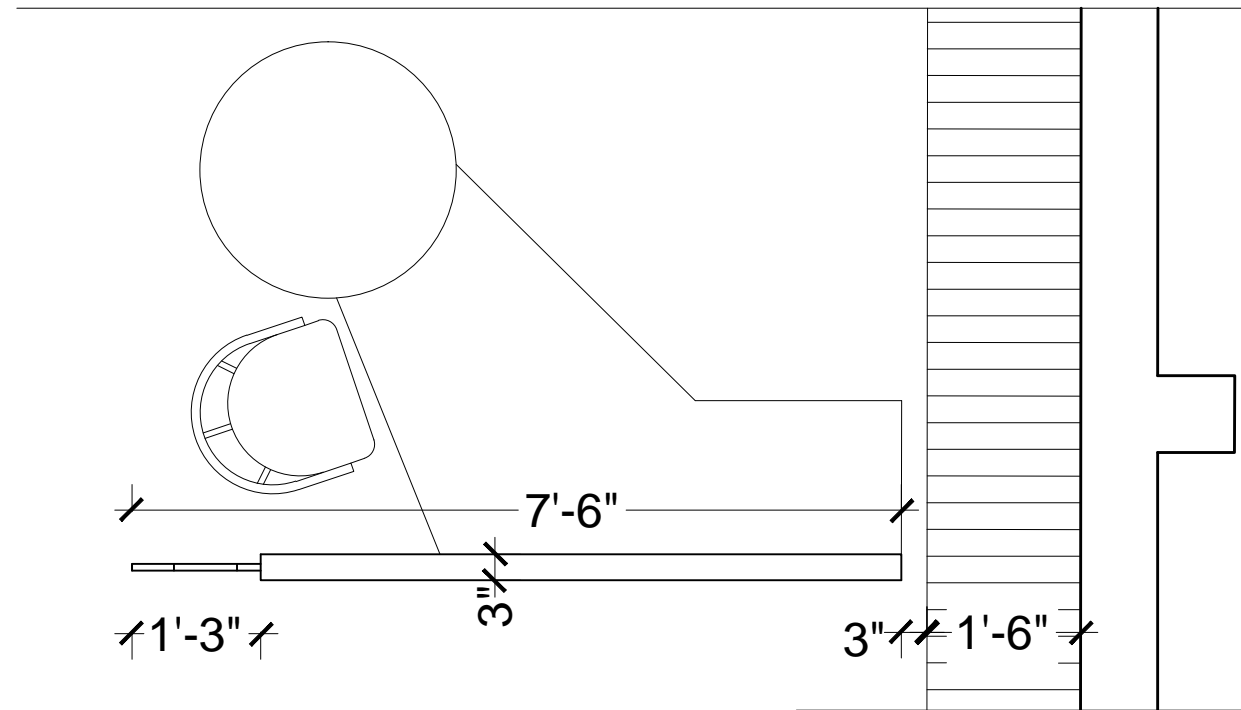
TITLE:  
**PARTITION DETAIL**  
**(SOLID FULL hHT.)**

DATE:--  
**April./24**  
 JOB No.:  
**BOB/PAR./G**

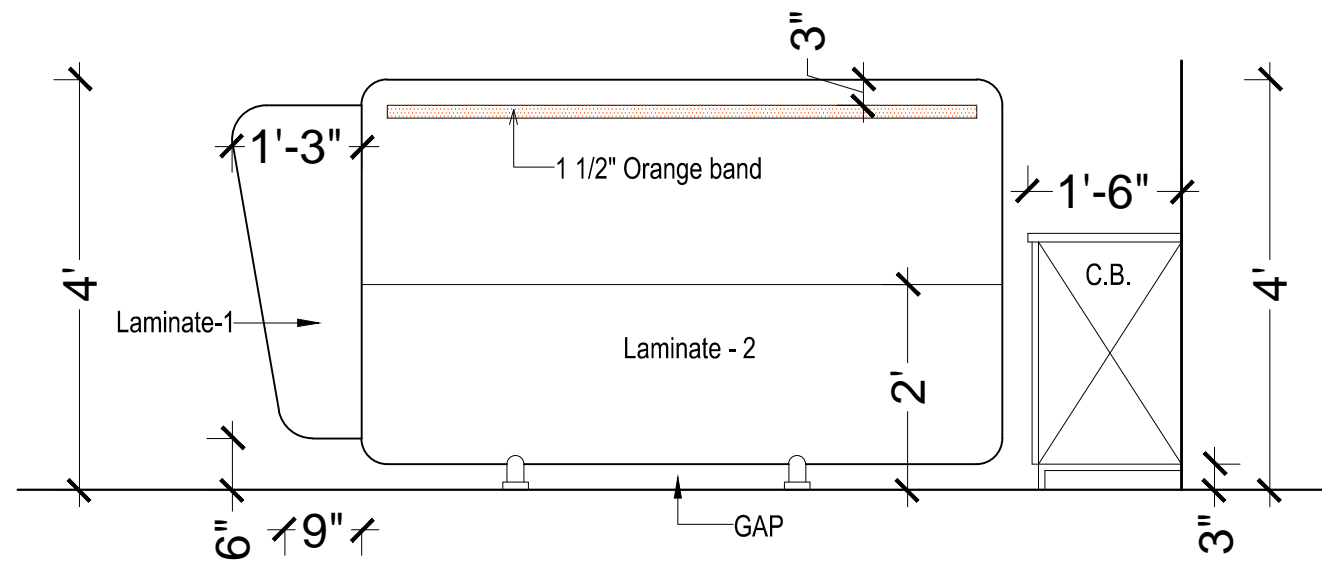
DRG.No.:  
**T.D. -05**  
 SCALE.:  
**N.T.S.**

**TENDER DRAWING**

ARCHITECTS :--  
**bdsharma CONSULTING pvt. ltd.**  
 C-1/8, BASEMENT, S.D.A. ADJ. AUROBINDO  
 MARKET NEW DELHI-110016  
 PHONES:-- 26522528, 46029643  
 email: - bdsarchitect@gmail.com

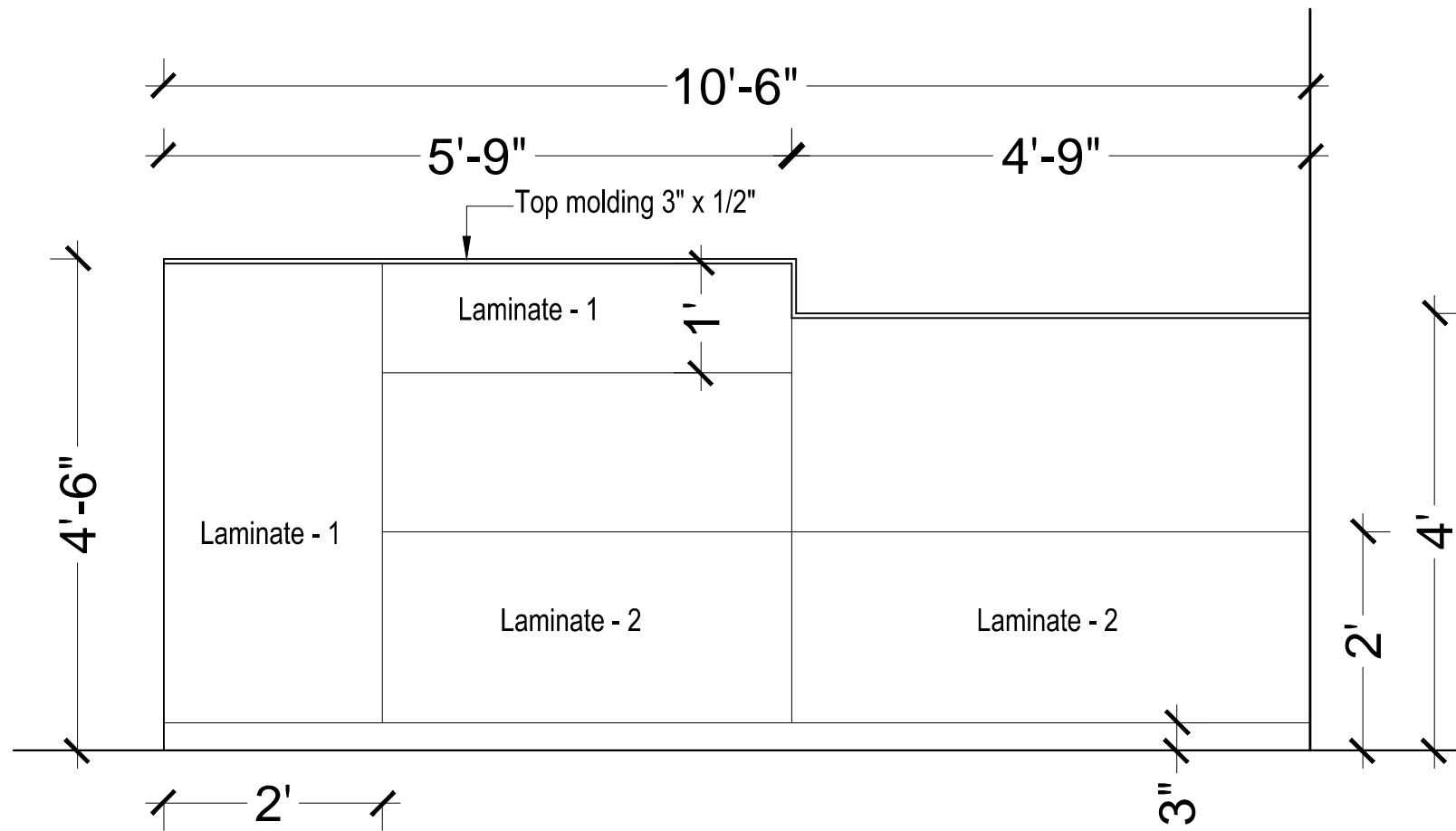


**PART PLAN - LOW HEIGHT CABIN RIGHT SIDE**



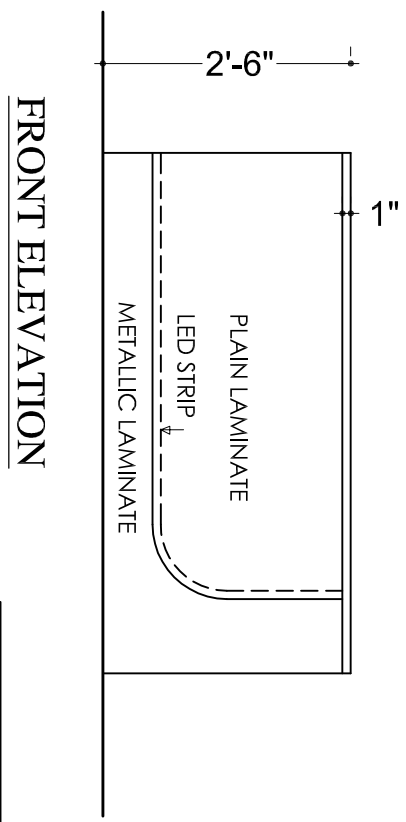
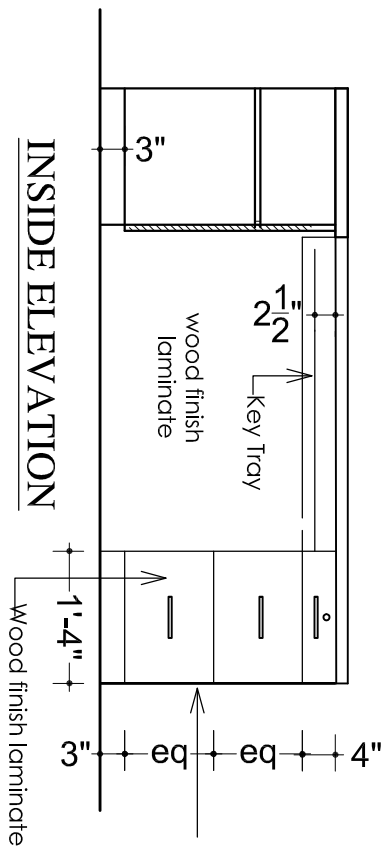
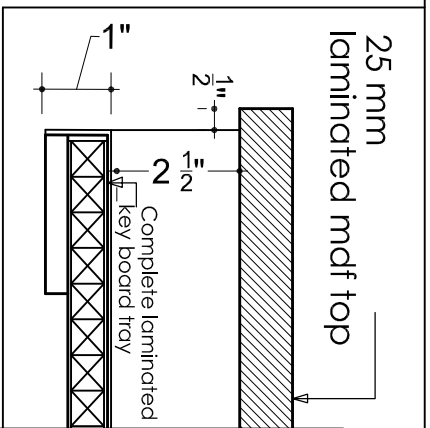
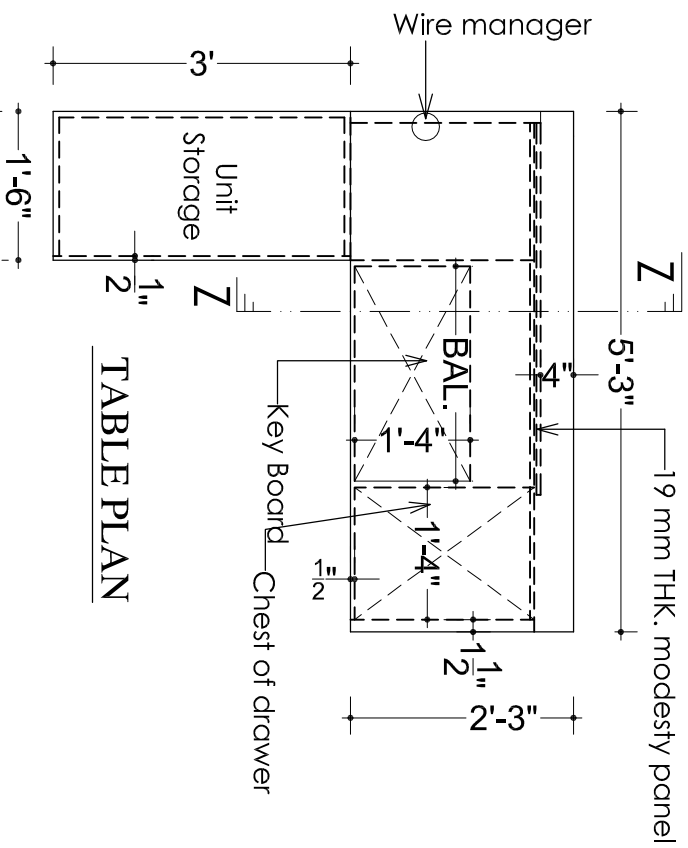
**PART ELEVATION - LOW HEIGHT CABIN PARTITION  
RIGHT SIDE AREA**

TENDER DRAWING				
PROJECT: <b>BANK OF BARODA PARLIAMENT, GROUND FLOOR BANK OF BARODA BUILDING, CONNAUGHT PLACE.</b>	TITLE: <b>PARTITION DETAIL (LOW HEIGHT)</b>	DATE:- <b>April./24</b>	DRG.No.: <b>T.D. -06</b>	ARCHITECTS :- <b>bdsharma CONSULTING pvt. ltd.</b> C-1/8, BASEMENT, S.D.A. ADJ. AUROBINDO MARKET NEW DELHI-110016 PHONES:- 26522528, 46029643 email: - bdsarchitect@gmail.com
		JOB No.: <b>BOB/PAR./G</b>	SCALE.: <b>N.T.S.</b>	



PART ELEVATION - SIDE LOW HEIGHT CABIN PARTITION  
MID BETWEEN CABIN AND BRANCH HEAD CABIN

				<b>TENDER DRAWING</b>
PROJECT: <b>BANK OF BARODA PARLIAMENT, GROUND FLOOR BANK OF BARODA BUILDING, CONNAUGHT PLACE.</b>	TITLE: <b>PARTITION DETAIL (LOW HEIGHT) (Branch head cabin)</b>	DATE:— <b>April./24</b>	DRG.No.: <b>T.D. -07</b>	ARCHITECTS :— <b>bdsharma CONSULTING pvt. ltd.</b> C-1/8, BASEMENT, S.D.A. ADJ. AUROBINDO MARKET NEW DELHI-110016 PHONES:— 26522528, 46029643 email: — bdsarchitect@gmail.com
		JOB No.: <b>BOB/PAR./G</b>	SCALE.: <b>N.T.S.</b>	



**WORKING DRAWING**

PROJECT:

**BANK OF BARODA PHYGTAL**

TITLE:

**TABLE T1**

DATE:-

**APRIL 24**

DRG.No.:

**T-11**

JOB No.:

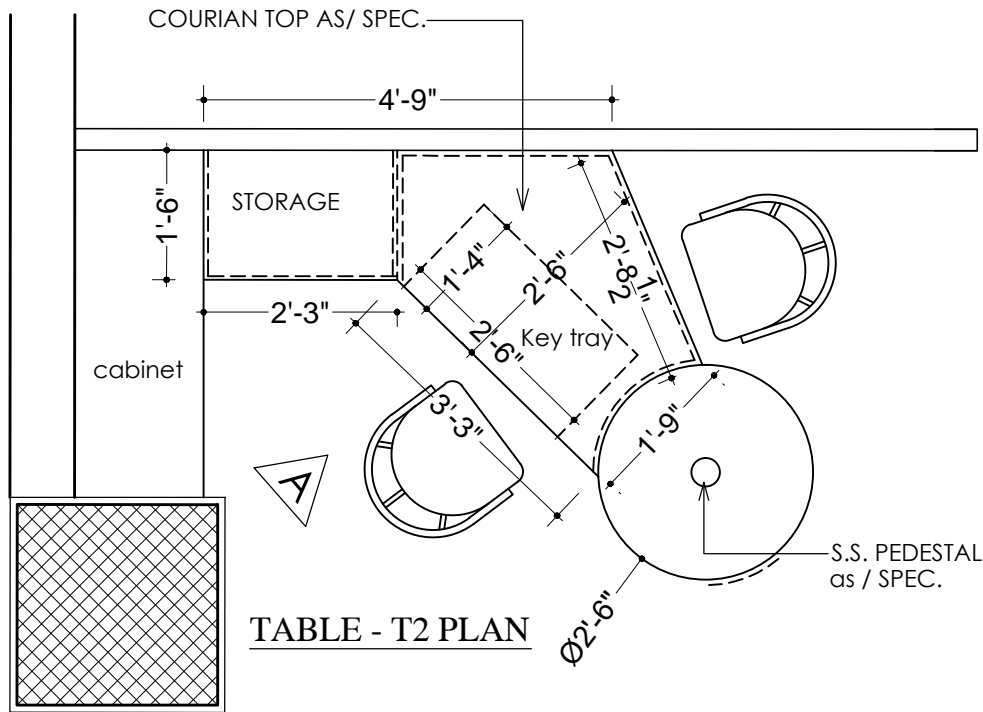
SCALE:-

**N.T.S.**

ARCHITECTS :-

**bdsharma CONSULTING pvt. ltd**  
 C-1/8, BASEMENT, S.D.A. ADJ. AUROBINDO  
 MARKET NEW DELHI-110016  
 PHONES:- 46029643, 26522528,  
 email - bdsarchitect@gmail.com

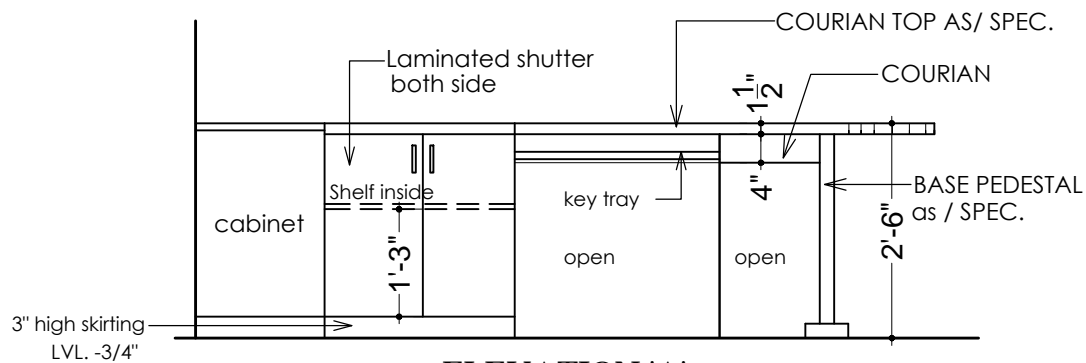




**TABLE - T2 PLAN**



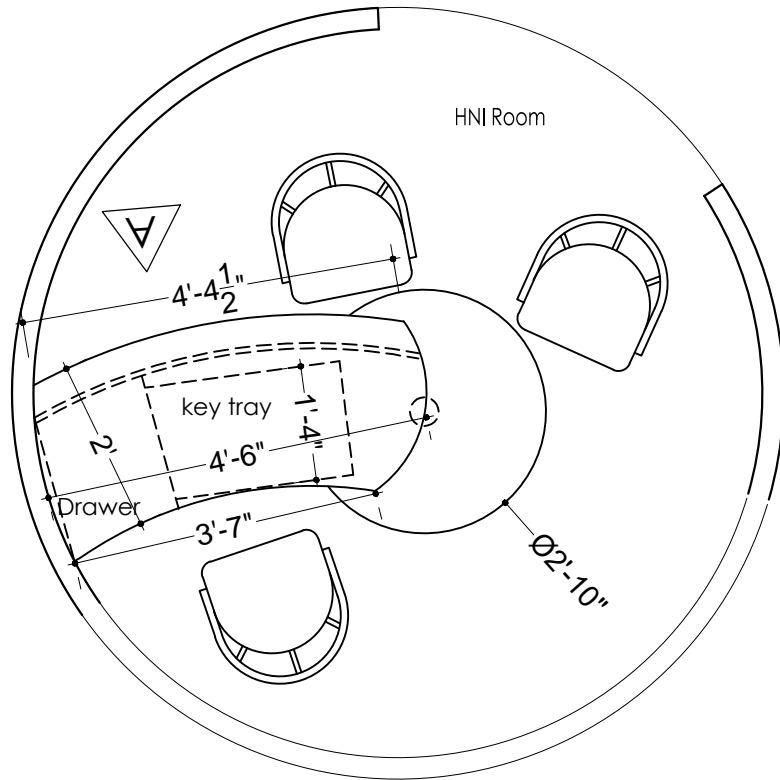
**REF. PHOTO**



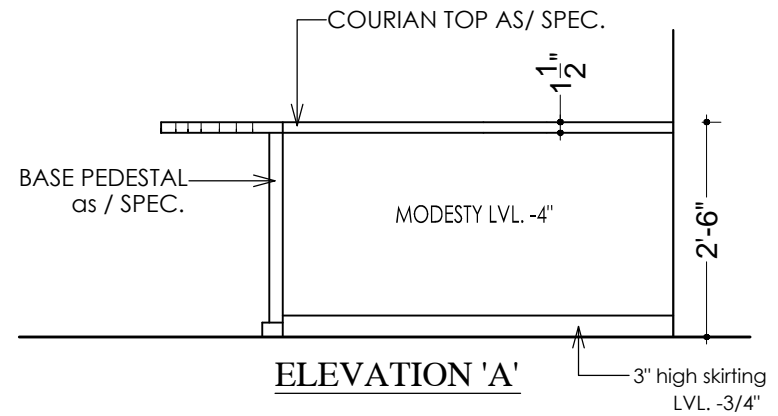
**ELEVATION 'A'**

**TENDER DRAWING**

PROJECT: <b>BANK OF BARODA PARLIAMENT STREET, GROUND FLOOR, BANK OF BARODA BUILDING, CONNAUGHT PLACE.</b>	TITLE: <b>OFFICER TABLE- T2</b>	DATE:-- <b>April./24</b>	DRG.No.: <b>T.D./12</b>	ARCHITECTS :- <b>bdsharma CONSULTING pvt. ltd</b> C-1/8, BASEMENT, S.D.A. ADJ. AUROBINDO MARKET NEW DELHI-110016 PHONES:- 46029643, 26522528, email-bdsarchitect@gmail.com
		JOB No.: <b>BOB/PAR.</b>	SCALE:-- <b>N.T.S.</b>	



HNI TABLE - PLAN



ELEVATION 'A'

**TENDER DRAWING**

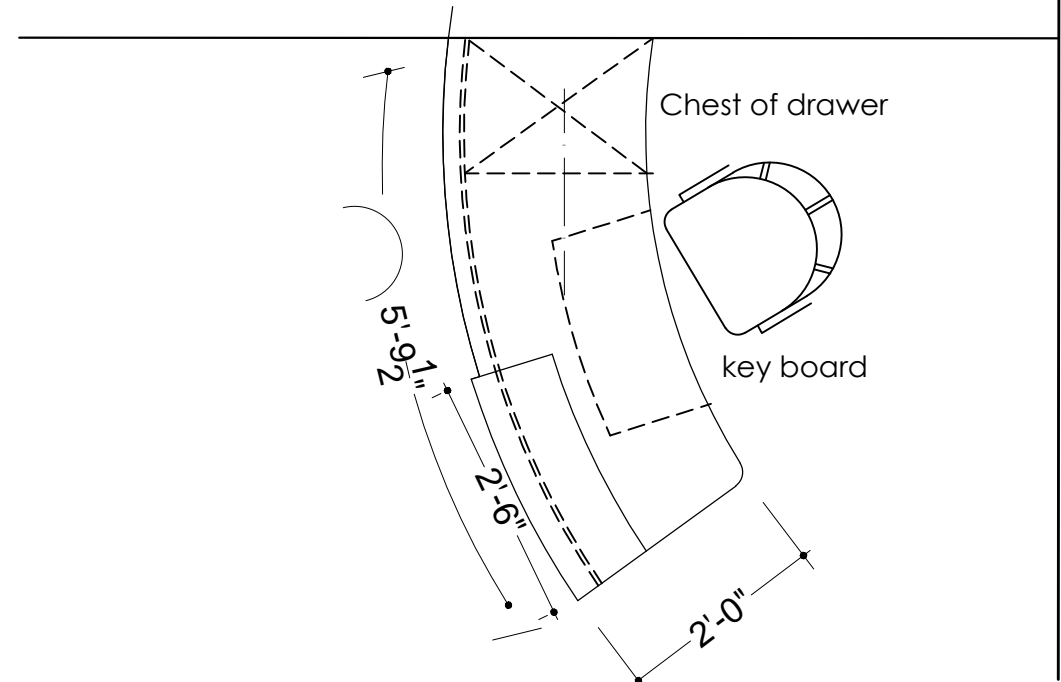
PROJECT:  
**BANK OF BARODA PARLIAMENT STREET, GROUND FLOOR,  
 BANK OF BARODA BUILDING, CONNAUGHT PLACE.**

TITLE:  
**HNI TABLE**

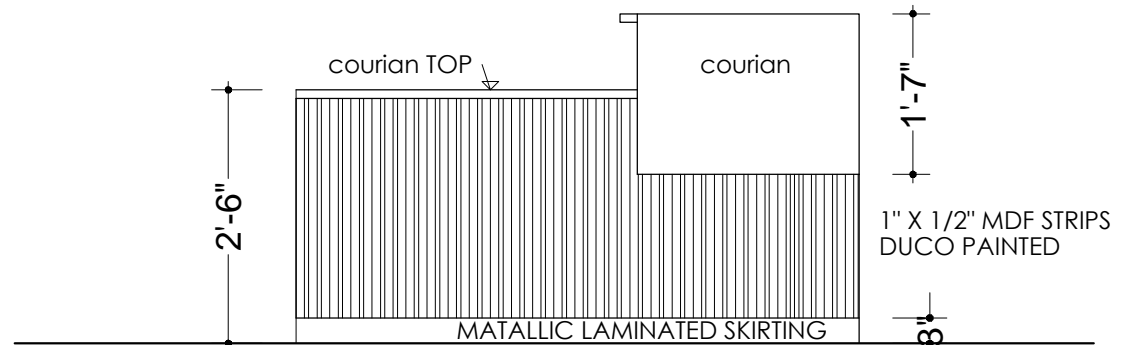
DATE:—  
**April./24**  
 JOB No.:  
**BOB/PAR.**

DRG.No.:  
**T.D./13**  
 SCALE:—  
**N.T.S.**

ARCHITECTS :—  
**bdsharma CONSULTING pvt. ltd**  
 C-1/8, BASEMENT, S.D.A. ADJ. AUROBINDO  
 MARKET NEW DELHI-110016  
 PHONES:— 46029643, 26522528,  
 email—bdsarchitect@gmail.com



**FLOOR MANAGER TABLE PLAN**



**FRONT ELEV.**

				<b>TENDER DRAWING</b>	
PROJECT:  <b>BANK OF BARODA PHYGITAL</b>	TITLE:  <b>FLOOR MANAGER TABLE</b>	DATE:-- <b>APRIL 24</b>	DRG.No.: <b>T-14</b>	ARCHITECTS :- <b>bdsharma CONSULTING pvt. ltd</b> C-1/8, BASEMENT, S.D.A. ADJ. AUROBINDO MARKET NEW DELHI-110016 PHONES:- 46029643, 26522528, email-bdsarchitect@gmail.com	
			SCALE:-- <b>N.T.S.</b>		